

FURUNO®

Waterproof and compact **RADAR REMOTE DISPLAY** Model **FMD-811**

Full function remote radar display

**Waterproof display unit exceeding
IEC 60529 IPX5 and USCG CFR 46**

**8" LCD with high-resolution,
high-quality radar picture**

**Sub-window with zoomed picture for
closer observation of targets**

**Nav information including own ship's
position, cursor position, ship's speed
and course, range/bearing to a
selected waypoint**

**Target position and radar system data
output in NMEA 0183**

Built-in barometer

**Omnipad controller for easy and speedy
selection of target and menu items**



The future today with FURUNO's electronics technology.

FURUNO ELECTRIC CO., LTD.

9-52 Ashihara-cho, Nishinomiya City, Japan Telephone: +81 (0)798 65-2111
Telefax: +81 (0)798 65-4200, 66-4622, 66-4623

Catalogue No. R-153e

The FURUNO FMD-811 is an exciting new Radar Remote Display. It offers the same functions that are available on the LCD radars Models 821/841: an EBL, EVRM, Echo Trails, Guard Zone with Alarm, Off-center and Zoom. The Zoom magnifies and displays an area specified by the cursor in a Sub-window in the lower 1/4 of the screen. The radar image is displayed clearly in 4 tones on a new high-resolution 8" LCD screen.

When connected with the Models 1831/1931/1941, FR-7041/7061/7111, FR-1400 series, FR-1500 Mark-2, FR-8001 series, FR-2100 series and FCR-1400 Mark-3 series, continuous and automatic control of receiver sensitivity and anti-clutter are provided for optimum performance and target detection while keeping the radars operation simple.

When connected with appropriate sensors outputting data in NMEA 0183 format, the FMD-811 displays the following information: ship's position in Lat/Lon or Loran TD's, ship's speed and course/range/bearing to the selected waypoint, XTE, and EBL readout in magnetic bearing. In addition, history of water depths and atmospheric pressure (sensor included in display unit) may be displayed during the stand-by mode. Waypoint mark can also be shown in the radar screen. The FMD-811 outputs cursor position and radar system data in NMEA 0183 to a compatible video plotter or computer.

A compact and waterproof display design allows a flexible and space-saving installation in flybridge and at your Navigation Station.

SPECIFICATIONS OF FMD-811

RADAR CONNECTION

Models	Receiver sensitivity and Anti-clutter controls on FMD-811
821/841	N/A
1720/1730/1750/1760	N/A *
1721/1731/1751/1761	N/A *
1830/1930/1940	N/A *
1831/1931/1941	Available
1941R	N/A *
FR-1400 series	Available
FR-1500D/DA series	N/A
FR-1500 Mark-2 series	Available
FR-7040D/7100D/7041R	N/A *
FR-7041/7061/7111	Available
FR-8000D/DA series	N/A
FR-8001 series	Available
FR-2000 series	N/A
FR-2100 series	Available
FCR-1400 Mark-1/2 series	N/A
FCR-1400 Mark-3 series	Available

* Optional buffer PCB OP03-137 required

DISPLAY UNIT

- Type** 8-inch LCD (4-level quantization), 480 (H) x 640 (V) dots
- Display Mode** Head-up
- Range Scales**

Range scales can be selected on menu from:

Range: 1/8, 1/4, 1/2, 3/4, 1, 1.5, 3, 6, 12, 24, 36

Ring: 1/16, 1/8, 1/8, 1/4, 1/4, 0.5, 1, 2, 3, 6, 12

- Echo Trail**

Interval: 15s, 30s, 1 min, 3 min, 6 min, 15 min, 30 min or continuous

- Other features**

Guard zone alarm, Zoom, Barometer, Interference Rejector, Off-center

- Interface** (NMEA0183 format) - - : any talker

Input

\$ - -APB, \$ - -BWC, \$ - -BWR, \$ - -DBK, \$ - -DBS, \$ - -DBT, \$ - -DPT, \$ - -GLC, \$ - -GLL, \$ - -GTD, \$ - -MDA, \$ - -MTW, \$ - -RMA, \$ - -RMB, \$ - -RMC, \$ - -VTG, \$ - -XTE, \$ - -ZDA, \$ - -HDG, \$ - -HDM, \$ - -HDT, \$ - -VHW,

Output:

\$RATLL, \$RARSD

ENVIRONMENT

 (IEC945 test method)

Temperature: -15°C to +55°C

Waterproofing: IEC 529 IPX5, USCG CFR46

POWER SUPPLY

- 10.2 to 31.2 VDC, 14 W
- 115/230 VAC with optional rectifier PR-62

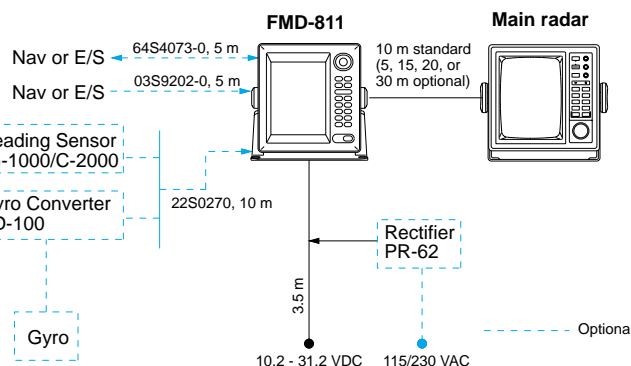
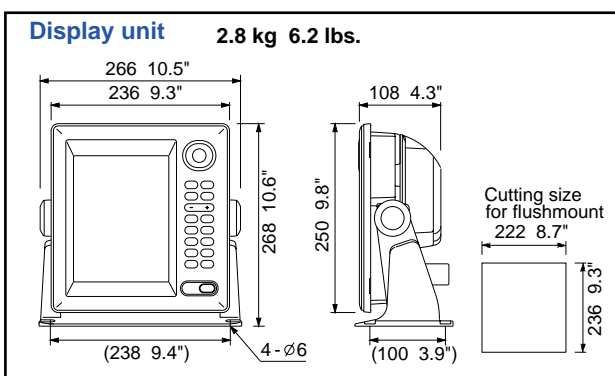
EQUIPMENT LIST

Standard

- | | |
|--|--------|
| 1. Display unit RDP-113 | 1 unit |
| 2. Connection cable | 10 m |
| 3. Power cable 03S9148, 3.5 m | 1 pc |
| 4. Standard spare parts and installation materials | 1 set |

Optional

- Rectifier PR-62
- Nav cable (5 m) 64S4073-0 for I/O port or 03S9202-0 (5 m) for Input port
- Compass cable (10 m) 22S0270
- External alarm buzzer OP03-136 for Guard Zone Alarm
- Connection cable 5, 15, 20 or 30 m
- Buffer PCB OP03-137



SPECIFICATIONS SUBJECT TO CHANGE WITHOUT NOTICE

FURUNO U.S.A., INC.

Camas, Washington, U.S.A.
Phone: +1 360-834-9300 Telefax: +1 360-834-9400

FURUNO (UK) LIMITED

Denmead, Hampshire, U.K.
Phone: +44 2392-230303 Telefax: +44 2392-230101

FURUNO FRANCE S.A.

Bordeaux-Mérignac, France
Phone: +33 5 56 13 48 00 Telefax: +33 5 56 13 48 01

FURUNO ESPAÑA S.A.

Madrid, Spain
Phone: +34 91-725-90-88 Telefax: +34 91-725-98-97

FURUNO DANMARK AS

Hvidovre, Denmark
Phone: +45 36 77 45 00 Telefax: +45 36 77 45 01

FURUNO NORGE A/S

Alesund, Norway
Phone: +47 70 102950 Telefax: +47 70 127021

FURUNO SVERIGE AB

Västra Frölunda, Sweden
Phone: +46 31-709 89 40 Telefax: +46 31-49 70 93

FURUNO SUOMI OY

Helsinki, Finland
Phone: +358 9 341 7570 Telefax: +358 9 3417 5716

00123B Printed in Japan